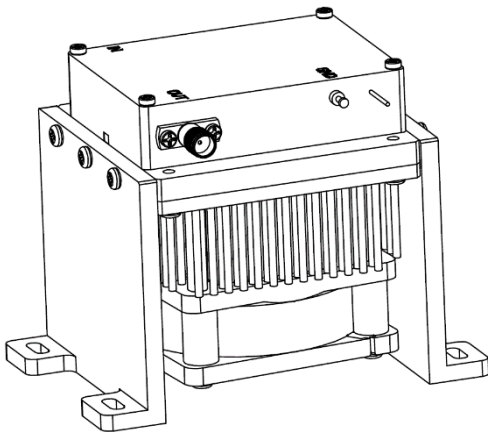


Active X2, 26-40GHz

2022-9-27

High Power Frequency Doubler, Pout=+28dBm



With -HF Option

Description:

AT-AM2-2640-28TB is a broadband frequency doubler. The doubler has an input frequency of 13-20GHz with a typical output +28dBm from 26-40GHz. High rejection band pass filter is integrated to filter X1/X3 harmonics.

The integrated output buffers deliver high output power at a low drive level. The doubler also has a typical harmonic suppression. The input port is SMA female, and the output is 2.92mm Female in default and 3.5mm is available according to request..

More information, please visit www.atmicrowave.com

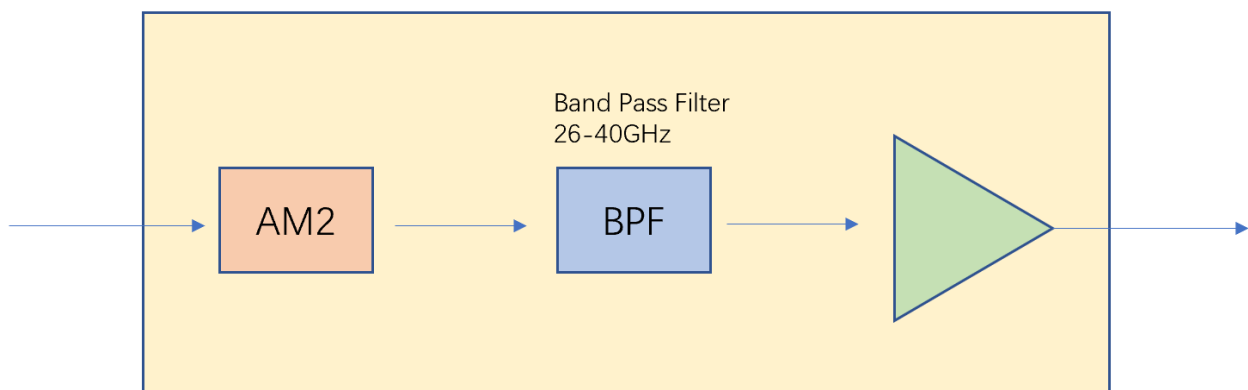
Feature

- ✓ Frequency: 26-40GHz
- ✓ Pout: +28dBm typical
- ✓ Input: 13-20GHz, +3dBm
- ✓ Low Harmonics

Application

- ✓ 5G Communication
- ✓ Test Equipment
- ✓ ROF (RF Over Fiber)
- ✓ Radar System

Diagram Block





AT-AM2-2640N-28TB

Active Multiplier x2, 26-40Hz Pout=+28dBm

Electronical Specifications:

Parameter	Min	Typical	Max
Input Frequency		13-20GHz	
Input Power	+3	+5dBm	+8dBm
Multiplier Factor		X2	
Output Frequency		26-40GHz	
Output Power	+27	+28dBm	
X1 Suppression vs X2 Pout		X1=13-20GHz : -50dBc	
X3 Suppression vs X2 Pout		X3=45-50GHz: -30dBc	
Drain Voltage		+8 to 15V	+24V
Current @12V		0.7A	1.2A
Spec Temp		+25C	

Mechanical Information

Item	Description
Input Port	SMA Female
Output Port	2.92mm Female
Case Material	Copper
Finish	Gold Plated
Weight (without heatsink)	230g
Size:	See outline

Absolute Maximum Ratings Table

Parameter	Value
Drain Supply	+36V
RF Input Power	+15dBm
Operating Temperature	-40 to +85C
Storage Temperature	-55 to +125C





AT-AM2-2640N-28TB

Active Multiplier x2, 26-40Hz Pout=+28dBm

Part Number Selection

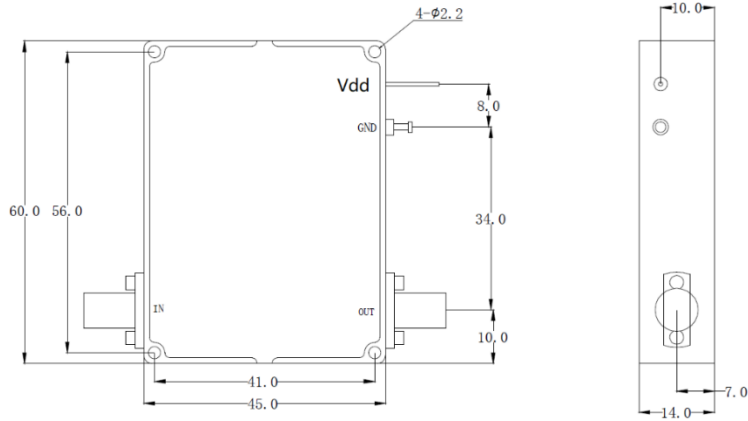
Item	Description
AT-AM2-2640N-28TB	In defaulted without heatsink and Fan. Heatsink and Fan required during operation.
AT-AM2-2640N-28TB- HF	Including Heatsink and Fan. Fan bias is connected with PA Module's Vdd supply

Notes:

- ✓ Datasheet may be changed according to update of MMIC, Raw materials , process, and so on.
- ✓ This data is only for reference, not for guaranteed specifications.
- ✓ Please contact AT Microwave team to make sure you have the most current data.
- ✓ Always pay attention to the temperature of the case, heatsink and fan are required if case temperature exceeds over 50C.



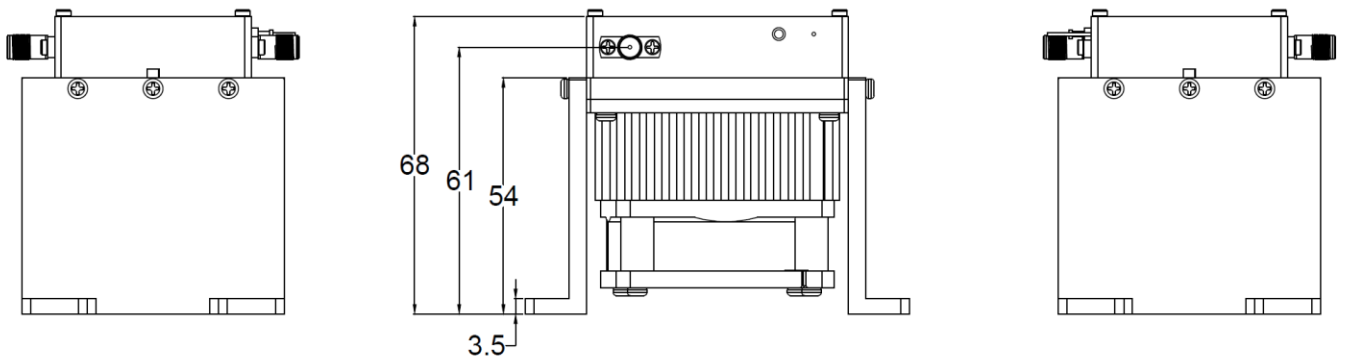
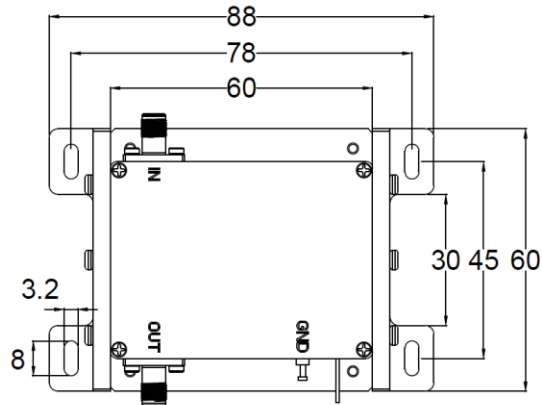
Dimension: (unit mm)



	<26.5GHz	<40GHz	<50GHz	<67GHz
Connector	SMA	2.92mm	2.4mm	1.85mm
Length of a	9.4mm	9.5mm	10.8mm	11.3mm

Note: Female Default. Contact with us for other types.

Outline without heatsink. Heat Sink Required During Operation



Outline-HF option with heatsink

